

INSTRUCTION MANUAL

DC-3 Dust Collector (240V) 1200cfm - LPHV System



W394

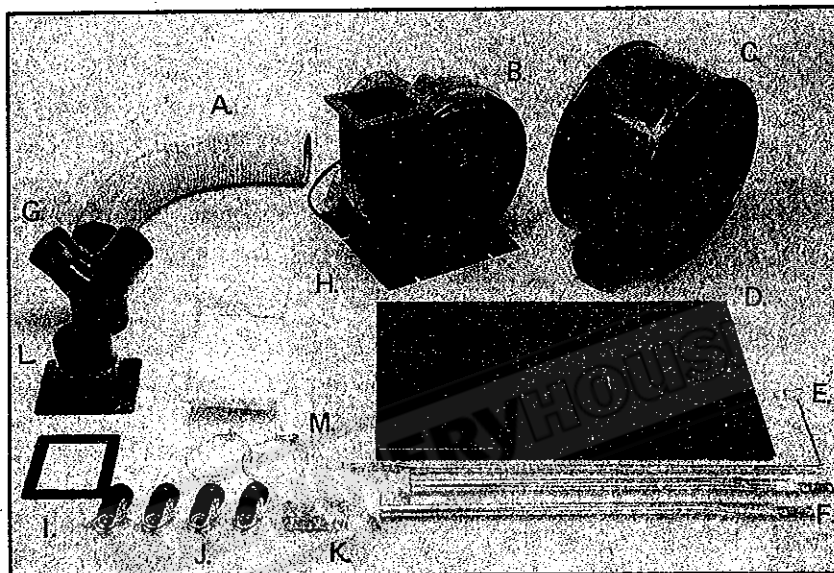
CONTENTS

UNPACKING AND CHECKING CONTENTS.....2
ASSEMBLY3
SAFETY RULES.....11
GROUNDING.....12
PARTS DIAGRAM13
PARTS LIST14



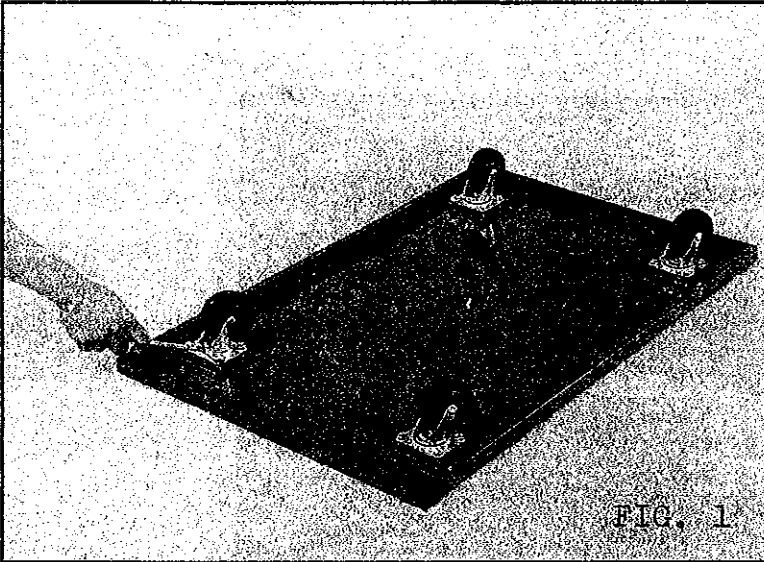
UNPACKING AND CHECKING CONTENTS

Unpack carton, check machine, to see parts listed below:



- A. HOSE
- B. COLLECTOR BODY & FAN/MOTOR ASSEMBLY
- C. COLLECTOR
- D. BASE PLATE
- E. UPPER BAG SUPPORT
- F. SUPPORT
- G. INLET
- H. TWO BAGS
- I. PACKING
- J. FOUR CASTERS
- K. NUTS, SCREWS, WASHERS, SPRING WASHERS, AND WRENCH
- L. OUTLET
- M. TWO HOSE CLAMP

ASSEMBLY



TO ASSEMBLE, FIRST PLACE THE BASE PLATE UPSIDE DOWN AND ATTACH THE FOUR CASTERS TO THE HOLES PROVIDED AND TIGHTEN WITH THE WRENCH. FIG. 1.

WITH THE COLLECTOR BODY & FAN/MOTOR ASSY IN PLACE, SECURE IT TO THE BASE PLATE USING THE SCREWS AND WASHERS PROVIDED AS SHOWN IN FIG. 2.

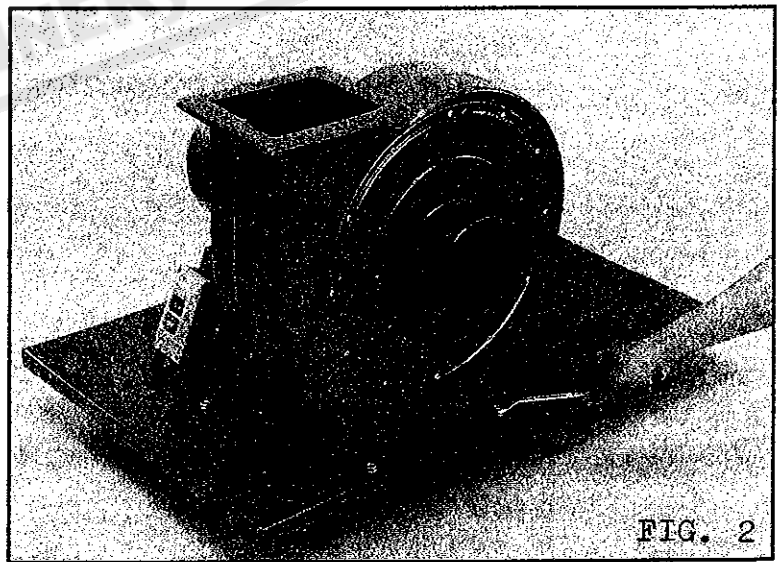
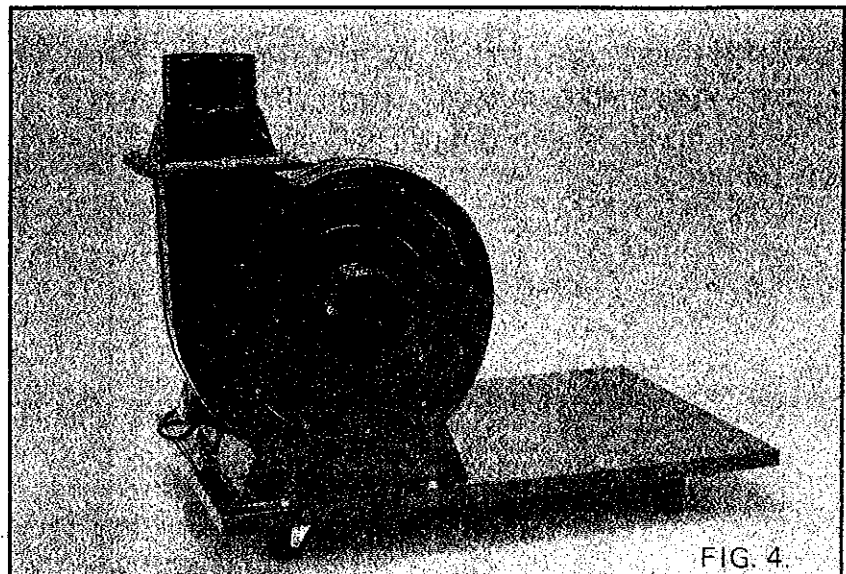
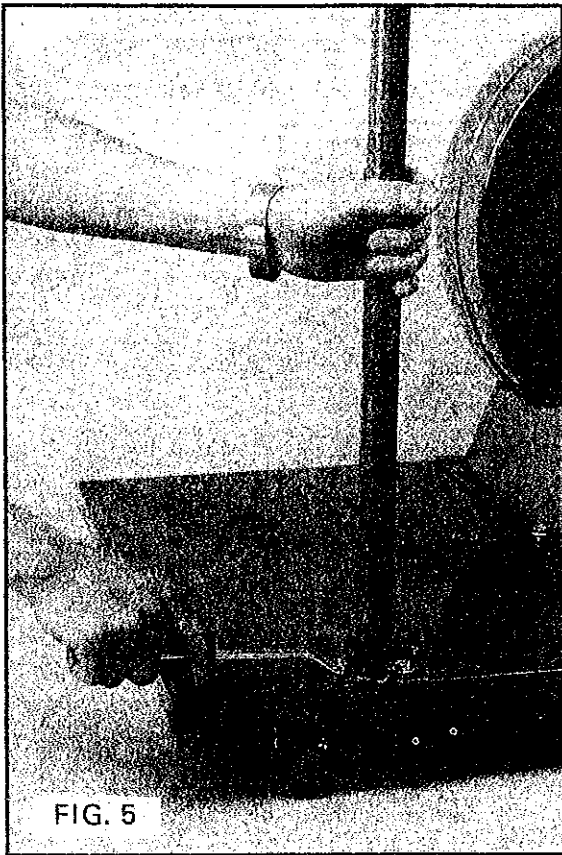


FIG. 2



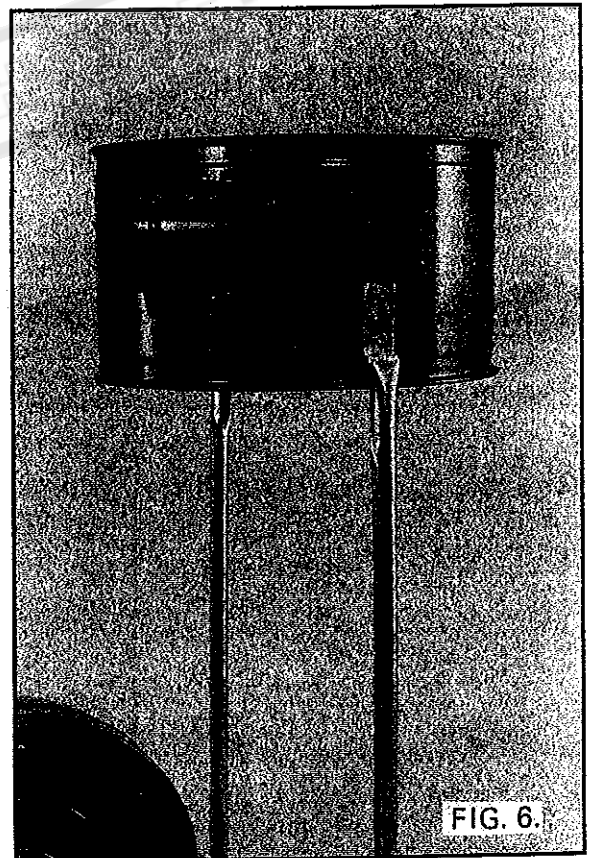
NEXT, MOUNT THE OUTLET (L) PACKING (I) TO THE COLLECTOR BODY AS SHOWN IN FIG. 3 AND 4.

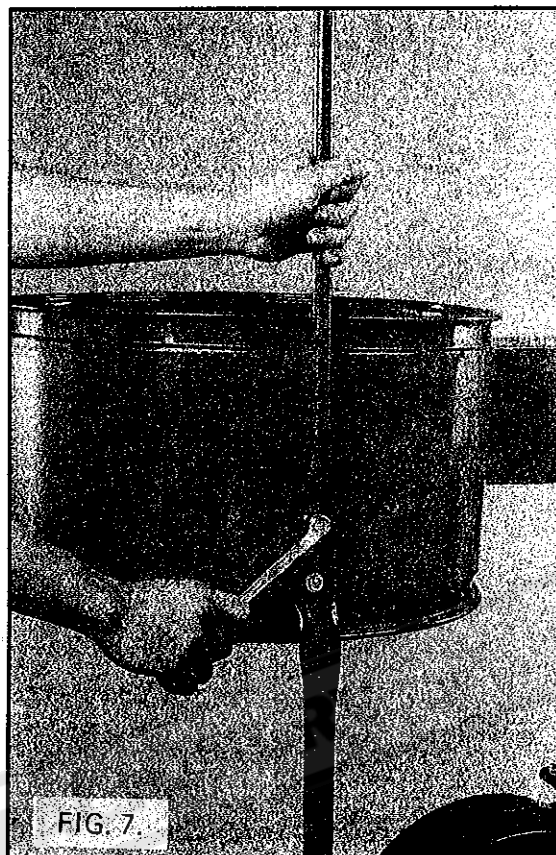




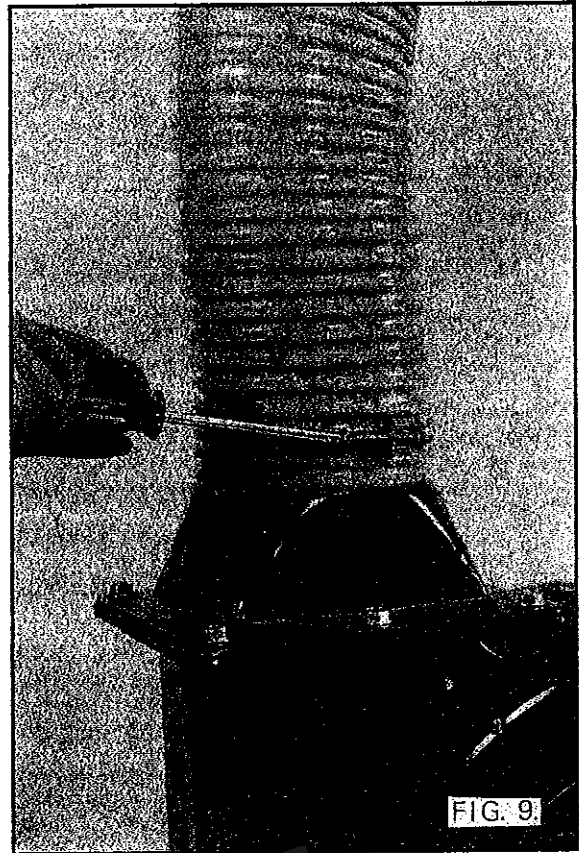
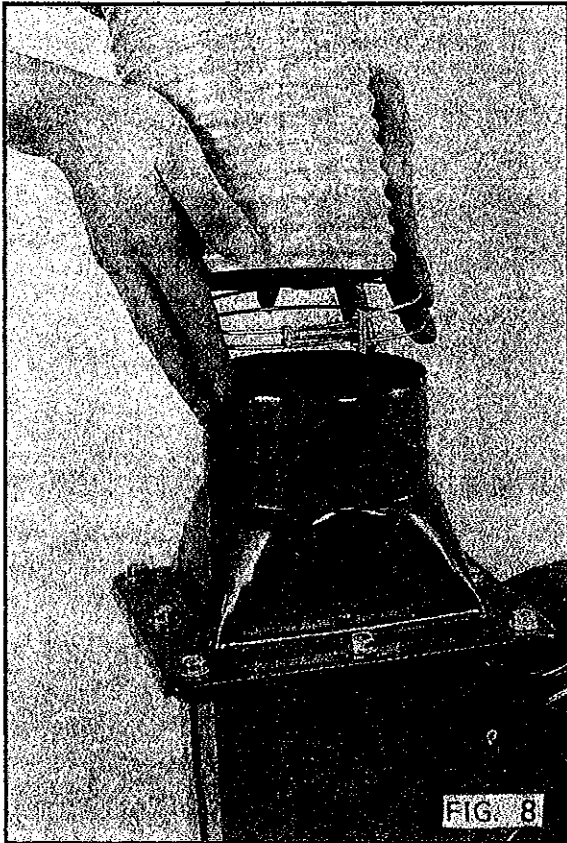
THE COLLECTOR SUPPORT CAN NOW BE MOUNTED TO THE BASE PLATE AS SHOWN IN FIG.5.

NOW ATTACH THE COLLECTOR (C) TO THE TWO COLLECTOR SUPPORTS MAKING SURE THE SIDE HOLE IN FACING THE COLLECTOR BODY AS SHOWN IN FIG. 6.

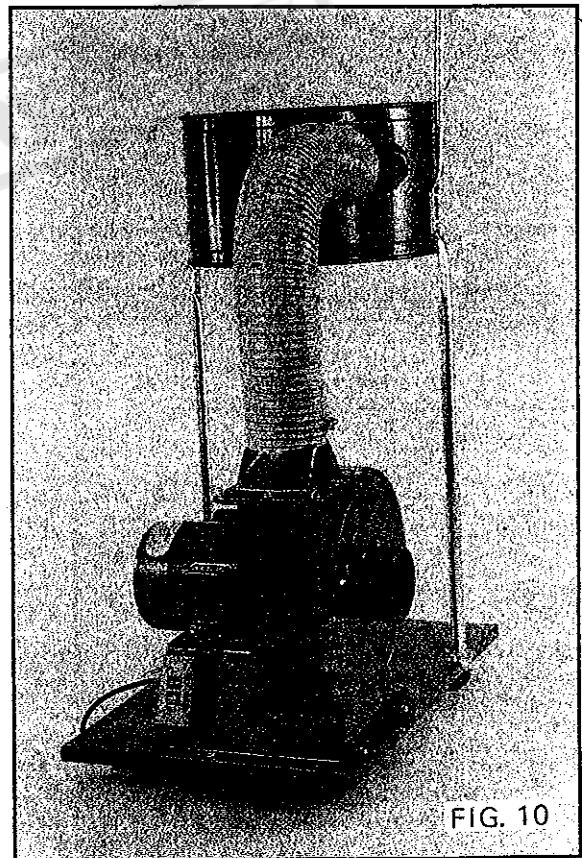




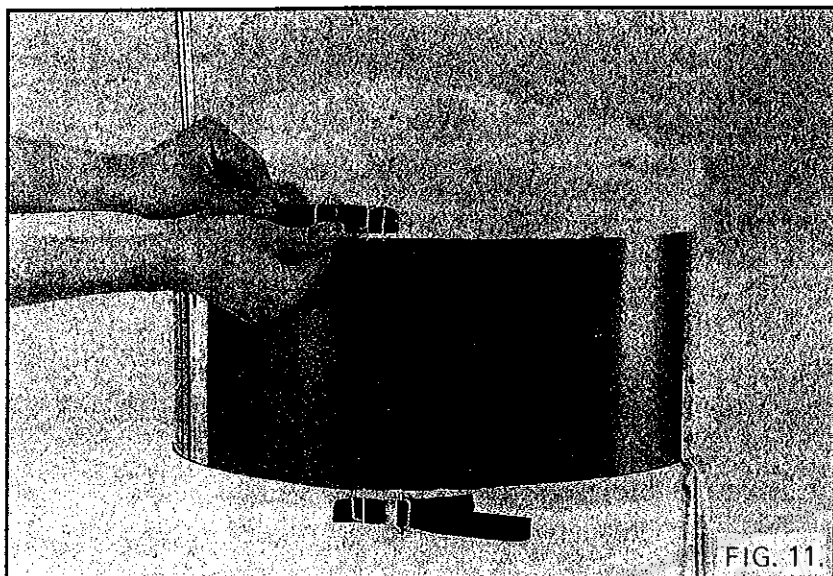
AT THIS TIME THE UPPER BAG SUPPORT SHOULD BE INSTALLED ONTO THE COLLECTOR SUPPORT AS SHOWN IN FIG. 7.



NOW ATTACH ONE END OF THE HOSE (A) TO THE COLLECTOR BODY AND THE OTHER END TO THE SIDE HOLE OF THE COLLECTOR AND SECURE WITH THE TWO HOSE CLAMPS (M) AS SHOWN IN FIG. 8 AND FIG. 9.

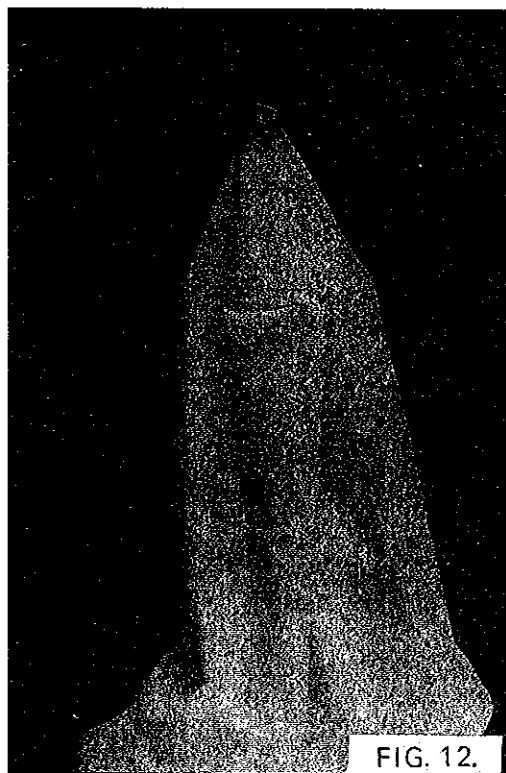


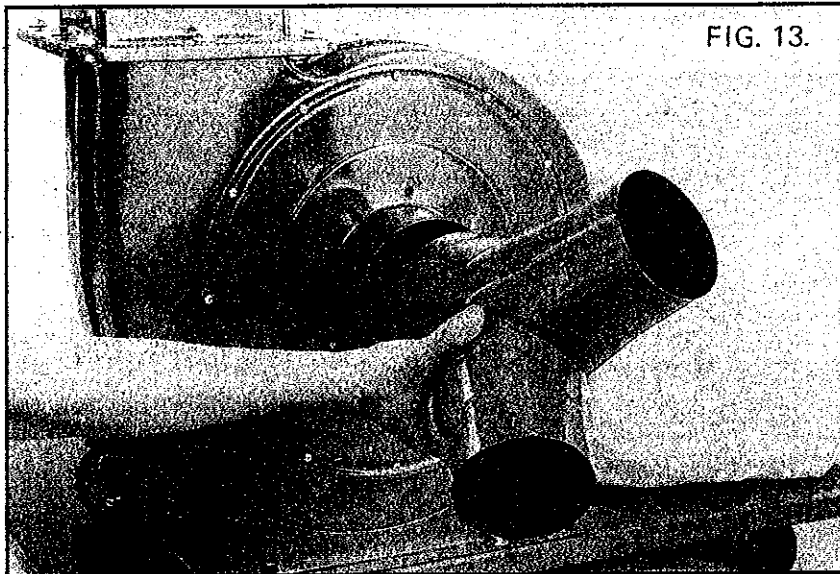
YOUR DUST COLLECTOR SHOULD NOW LOOK LIKE THE ONE IN FIG.10.



PLACE THE COLLECTOR AND FILTER BAGS (H) ONTO THE COLLECTOR AND SECURE WITH THE BELTS AS SHOWN IN FIG. 11.

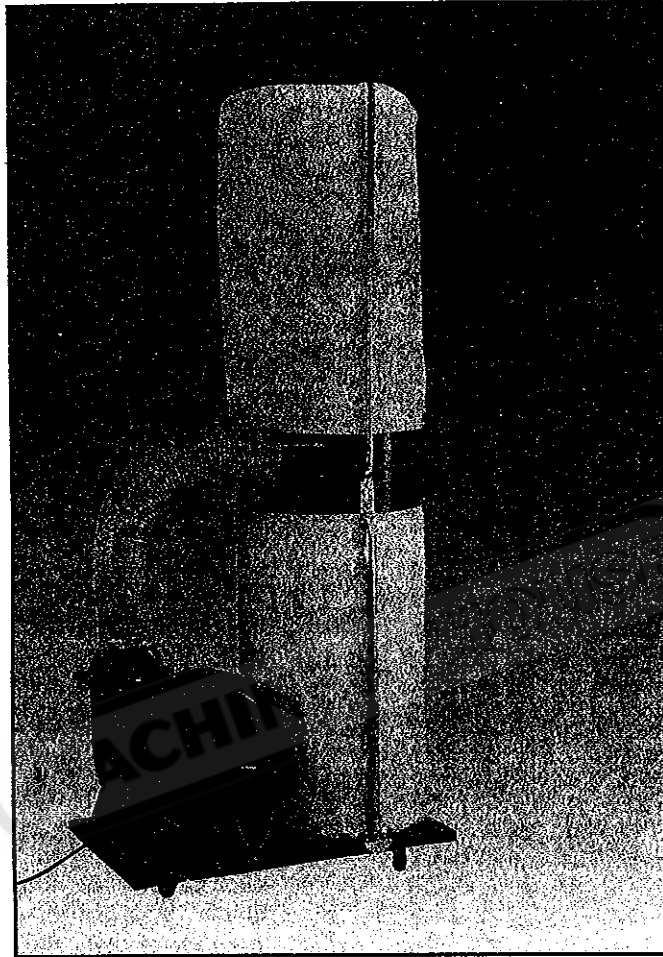
AFTER THE BAGS ARE SECURED, THE UPPER BAG SHOULD BE HANG FROM THE UPPER BAG SUPPORT AS IN FIG. 12





THE SHUTTER CAN NOW BE
PLACED ON THE INTAKE
HOLE OF THE FAN/MOTOR
ASSEMBLY. FIG. 13.

MACHINERYHOUSE



THE DUST COLLECTOR IS NOW READY TO BE PLACED INTO SERVICE. BEFORE CONNECTING TO A POWER SOURCE, BE SURE THE POWER SOURCE IS PROPERLY GROUNDED AND IS OF PROPER VOLTAGE AND AMPERAGE.

SAFETY RULES

1. **READ AND BECOME FAMILIAR** with the entire operating manual.
2. **KEEP GUARDS AND COVER** in place and in working order.
3. **ALWAYS USE SAFETY GLASSES**, Also use face or dust mask if cutting operations is dusty. Everyday eye-glasses only have impact resistant lense; they are not safety glasses.
4. **KEEP WORK AREA CLEAN**. Cluttered areas and benches invite accidents.
5. **DON'T FORCE TOOL**. It will do a better and safer job at the rate for which it was designed.
6. **AVOID ACCIDENTAL STARTING**. Make sure switch is in "OFF" position before plugging in cord.
7. **DISCONNECT TOOLS BEFORE SERVICING** and when changing accessories such as blades, bits, cutters.
8. **DON'T OVERREACH**. Keep your proper footing and balance at all times. For best footing wear rubber soled footwear. Keep floor clear of oil, scrap wood, etc.
9. **WEAR PROPER APPAREL**. Loose clothing or jewelry may get caught in moving parts. Wear protective hair covering to contain long hair.
10. **MAKE WORKSHOP KIDPROOF**. Place a padlock on the switch when blade saw is not in use and store the key in a safe location.
11. **REMOVE ADJUSTING KEYS AND WRENCHES**. Form habit of checking to see that keys and adjusting wrenches are removed from tool before turning it on.
12. **AVOID DANGEROUS ENVIRONMENT**. Don't use power tools in damp or wet locations. Keep your work area well illuminated **DO NOT USE** in explosive atmosphere (around paint, flammable liquids, etc.)
13. **KEEP CHILDREN AWAY**. All visitors should be kept a safe distance from work area, especially while operating unit.
14. **USE THE PROPER TOOL**. Don't force tool or attachment to do a job for which it was not designed.
15. **MAINTAIN TOOLS IN TOP CONDITION**. Keep tools sharp and clean for best and safest performance. Follow instructions for lubricating and changing accessories.
16. **SECURE WORK**. Use clamps or a vise to hold work, when practical. It's safer than using your hand and prevents round or irregularly shaped pieces from turning.
17. **CHECK DAMAGED PARTS**. Before further use of the tool, a guard or other part that is damaged should be checked to assure that it will operate properly and perform its intended function—check for alignment of moving parts, breakage of parts, mounting, any other conditions that may affect its operations. A guard or other part that is damaged should be properly repaired or replaced.
18. **USE RECOMMENDED ACCESSORIES** — Consult Owner's Manual. Use of improper accessories could be hazardous.
19. **NEVER STAND ON TOOL**. Injury could occur from a fall.
20. **NEVER LEAVE TOOL RUNNING AND UNATTENDED**.
21. **ALWAYS REMOVE CORD PLUG** from electrical outlet when adjusting, changing parts or working on tool.

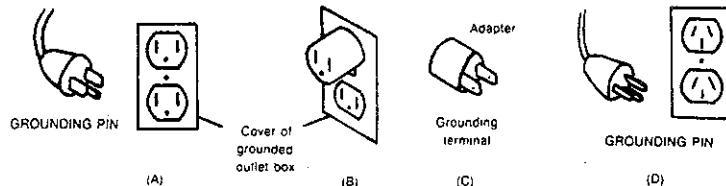
GROUNDING

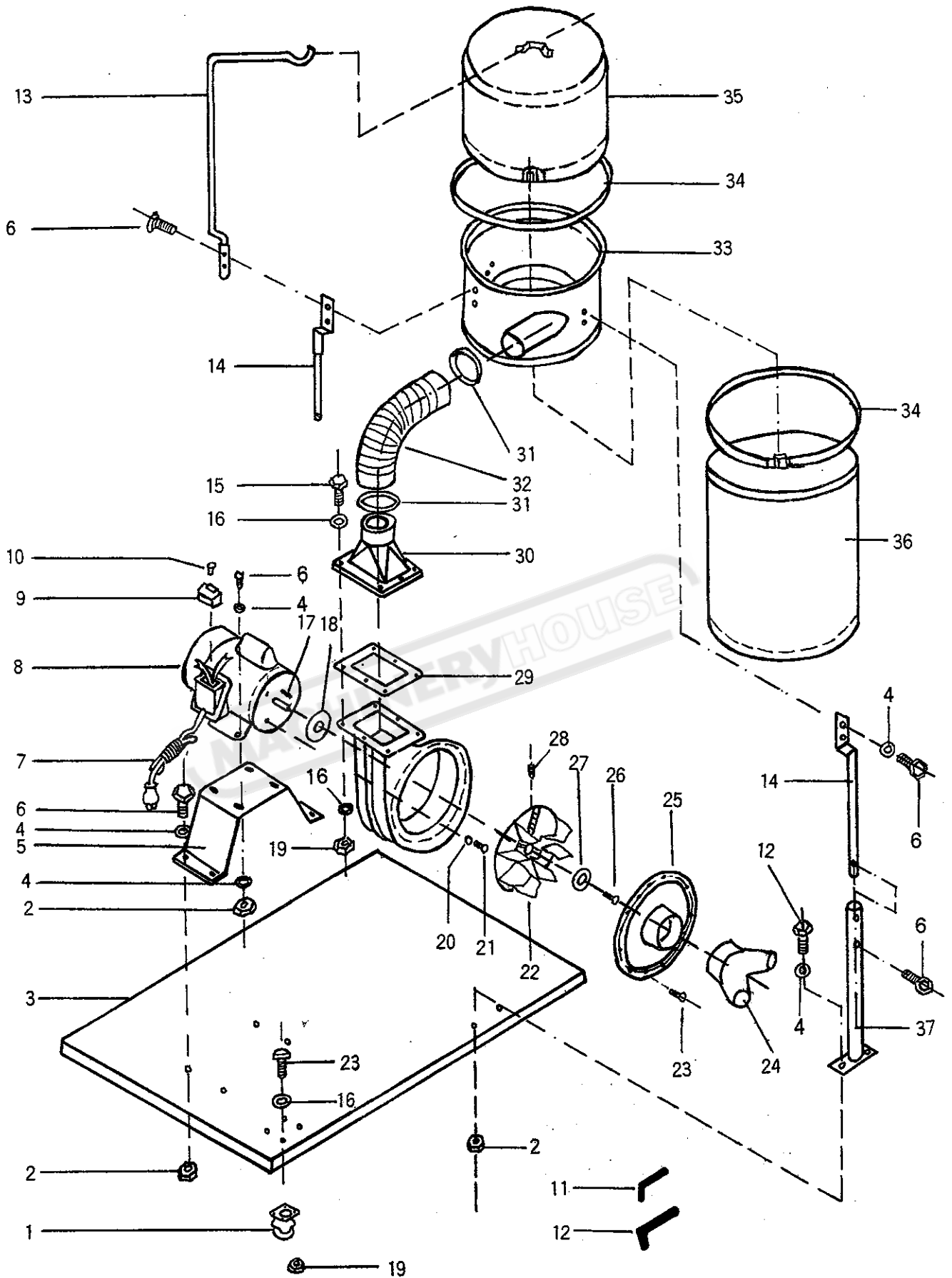
1. In the event of a malfunction or breakdown, grounding provides a path of least resistance for electric current to reduce the risk of electric shock. This tool is equipped with an electric cord having an equipment-grounding conductor and a grounding plug. The plug must be plugged into a matching outlet that is properly installed and grounded in accordance with all local codes and ordinances.
2. Do not modify the plug provided it will not fit the outlet, have the proper outlet installed by a qualified electrician.
3. Improper connection of the equipment grounding conductor can result in a risk of electric shock. The conductor with insulation having an outer surface that is green with or without yellow stripe is the equipment-grounding conductor. If repair or replacement of the electric cord or plug is necessary, do not connect the equipment-grounding conductor to a live terminal.
4. Check with a qualified electrician or serviceman if the grounding instructions are not completely understood, or if in doubt as to whether the tool is properly grounded.
5. Use only 3-wire extension cords that have 3-prong grounding plugs and 3-pole receptacles that accept the tool's plug.
6. Repair or replace damaged or worn cord immediately.
7. This tool is intended for use on a circuit that has an outlet that looks like the one illustrated in sketch A. The tool has a grounding plug that looks like the plug illustrated in sketch A. A temporary adapter, which looks like the adapter illustrated in sketches B and C, may be used to connect his plug to a 1-pole receptacle as shown in sketch B if a properly grounded outlet is not available. The temporary adapter should be used only until a properly grounded outlet can be installed by a qualified electrician. The green-colored rigid ear, lug, etc. extending from the adapter must be connected to a permanent ground such as a properly grounded outlet box.

NOTE: The type of electrical plug and receptacle differs from country to country.

Caution: In Canada only the grounding shown in figure (A) is acceptable. The extension cords should be CSA certified S.J.T. type or something better.

Caution: In Australia only the grounding shown in figure (D) is acceptable. The extension cords should be SAA certified.





PARTS LIST

NO.	DESCRIPTION	Q'TY
1	Caster	4
2	Nut	10
3	Base plate	1
4	Washer	24
5	Motor Base	1
6	Screw Hex.	23
7	Cord Power	1
8	Motor	1
9	Switch	1
10		
11	Wrench Hex.	1
12	Wrench Hex.	1
13	Upper Bag Support	1
14	Collector Support	3
15	Screw Hex	6
16	Washer	12
17	key	1
18	Packing	1
19	Nut	22
20	Washer	4
21	Screw Hex.	4
22	Turbo Fan	1
23	Screw Hex.	28
24	Inlet	1
25	Inlet Cover	1
26	Screw Hex.	1
27	Washer	1
28	Screw Hex.	1
29	Packing	1
30	Outlet	1
31	Hose Clamp	2
32	Hose	1
33	Collector	1
34	Hose Clamp	2
35	Filter Bag	1
36	Collector Bag	1
37	Collector Support	3
38		

INSTRUCTION MANUAL

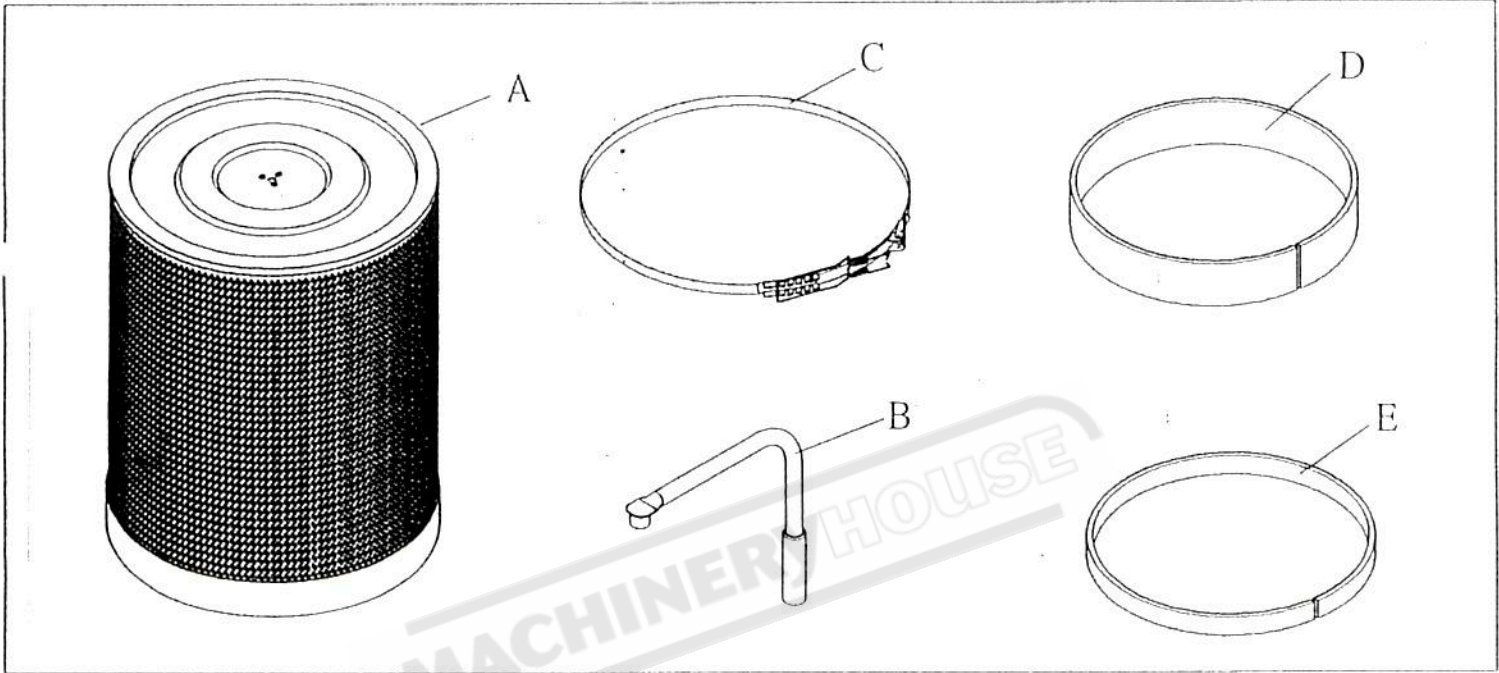
FC-10 Filter Cartridge



W328

UNPACKING CONTENT

Unpack carton; please check the content to see below parts listed:



- A. Canister Filter
- B. Handle
- C. Belt Clamp
- D. Foam 5 x 42 x 1565mm
- E. Foam 6 x 20 x 1530mm

ASSEMBLY STEP

Step 1

Mounting the handle (B) on the top of canister filter (A) by tightening up the hex. head screw M6 x 16 (P/no.:2). Please make sure the screw is locked tightly. Please see figure 1 and 2.

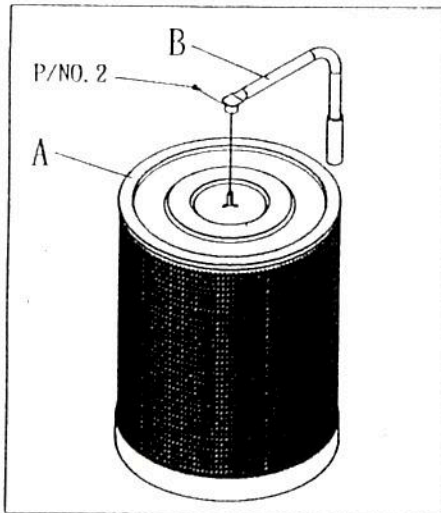


FIG. 1

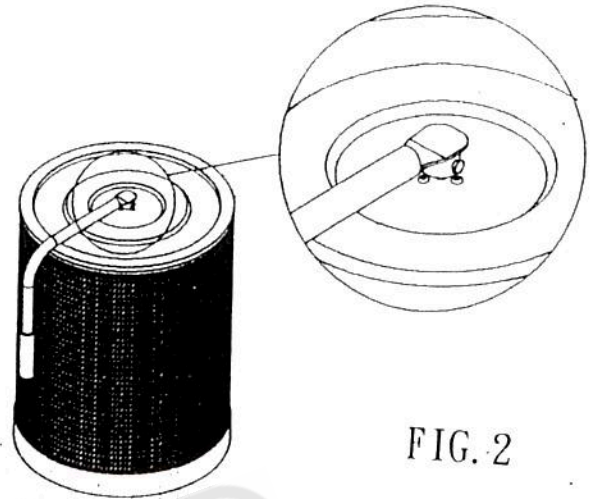


FIG. 2

Step 2

Stick the Foam (D) on the top of collector and stick Foam (E) on the bottom of collector. Please see figure 3.

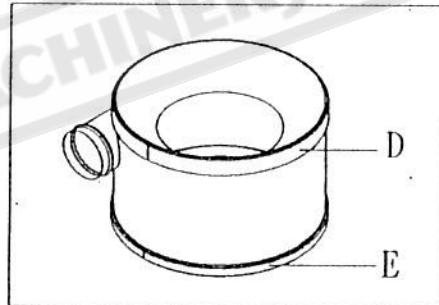


FIG. 3

Step 3

Place the complete Canister Filter (A) on the top area of collector and using a belt clamp (C) to tight it up. Please see the figure 4.

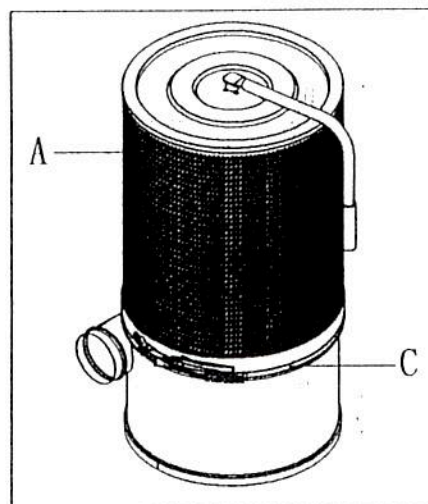
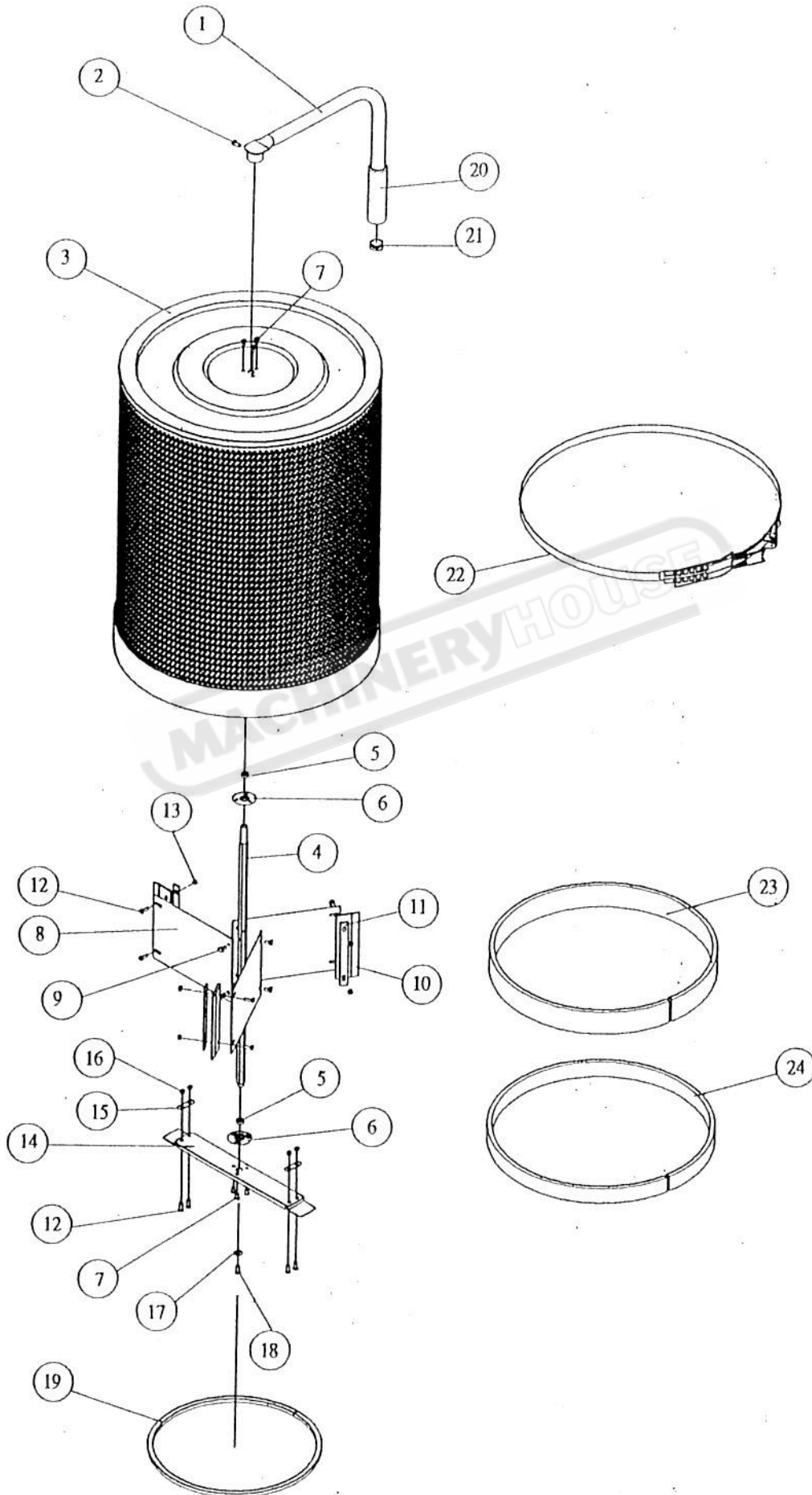


FIG. 4

EXPLODED DIAGRAM



PARTS LIST

NO.	Description	Specification	Q'ty
1	Handle		1
2	Hex. Head Screw	M6 x 16	1
3	Canister Filter		1
4	Hex. Spindle		1
5	Thread Bearing		2
6	Bearing Fixing plate		2
7	Half Round Head Screw	M5 x 10	6
8	Clip Board		3
9	Hex. Head Screw	M6 x 10	6
10	Rubber Flapper		3
11	Flapper Fixing Plate		3
12	Round Head Screw	M5 x 15	10
13	Self-lock nut	M5	6
14	Bottom Fixing Plate		1
15	Fixing Plate		2
16	Nut	M5	4
17	Flat Washer	1/4"	1
18	Round Head Screw	M6 x 10	1
19	Sponge	10 x 15	1
20	Sponge Sleeve	1" x 5" x 5"	1
21	Cap	1"	1
22	Belt Clamp		1
23	Foam	6 x 20	1
24	Foam	5 x 42	1